

Continental



HSR



CONTINENTAL
MEDIUM TRUCK

HSR

PREMIUM REGIONAL STEER (HEAVY STEER REGIONAL)

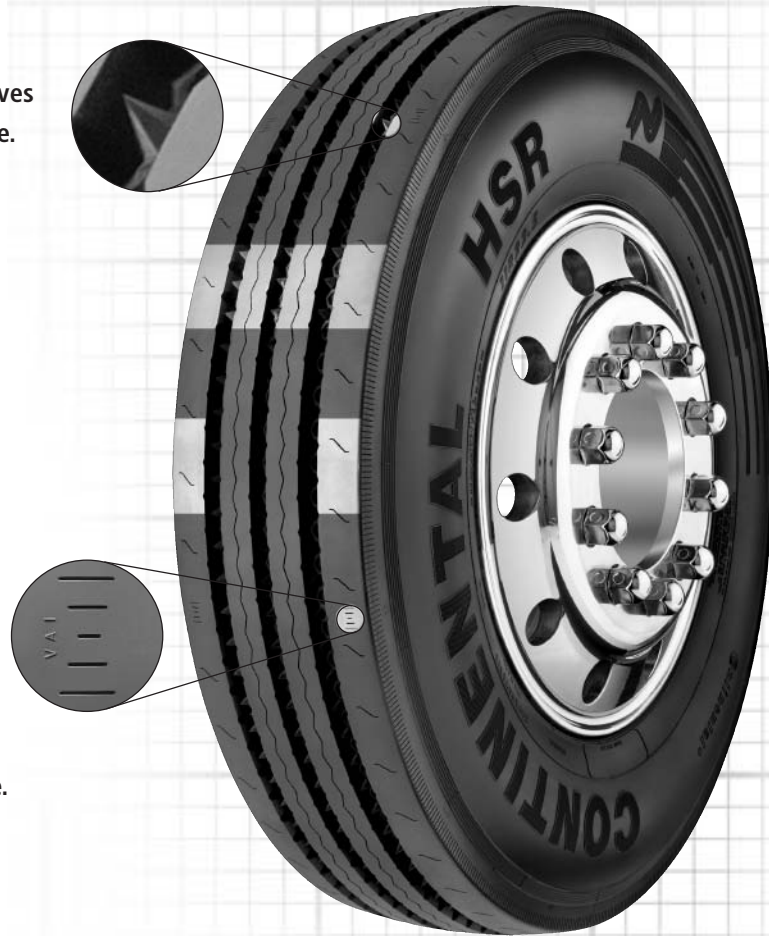
Pyramidal stone ejectors in all tread grooves to stop stone retention for long casing life.

Deep cut and chip resistant tread for long tread life in on/off road conditions.

Robust shoulder rib for long tread life in high scrub applications.

Visual Alignment Indicators (VAI®) alert user to tire tracking problems.

Premium load range H casing for long life.



Applications:

Regional hauling and on/off road all position.

TIRE SPECIFICATIONS

Highway - 65 mph at loads indicated unless otherwise stated.

TIRE SIZE	LOAD RANGE	TREAD DEPTH	PRODUCT CODE	SAP ARTICLE NUMBER	RIM WIDTH IN	OVERALL INFLATED DIAMETER IN (mm)	OVERALL INFLATED WIDTH IN (mm)	LOADED SECTION WIDTH IN (mm)	STATIC LOADED RADIUS IN (mm)	MINIMUM DUAL SPACING IN (mm)	REVS PER MILE (KM)	TIRE WEIGHT (KG)	MAX LOAD@INFLATION			
													SINGLE		DUAL	
												lbs	psi	lbs	psi	
TUBELESS TIRES ON 15 DEGREE DROP CENTER RIMS																
11R22.5*	H	23/32	0206854	05682430000	8.25	41.6 (1057)	11.1 (282)	12.0 (305)	19.4 (493)	12.5 (318)	498 (310)	119 (54)	6610 (3000)	120 (830)	6005 (2725)	120 (830)
11R24.5	H	23/32	0206857	05682440000	8.25	43.5 (1105)	11.1 (282)	12.0 (305)	20.4 (518)	12.5 (318)	476 (296)	128 (58)	7160 (3250)	120 (830)	6610 (3000)	120 (830)
275/80R22.5*	H	23/32	0206860	05682450000	8.25	40.0 (1016)	11.1 (282)	12.6 (320)	18.7 (475)	12.5 (318)	518 (322)	117 (53)	6940 (3150)	120 (830)	6175 (2800)	120 (830)
285/75R24.5	H	23/32	0206865	05682460000	8.25	41.3 (1049)	10.7 (272)	12.1 (307)	19.4 (493)	12.5 (318)	501 (311)	122 (55)	6780 (3075)	120 (830)	6175 (2800)	120 (830)
12R22.5* **	H	18/32	0211230	05715110000	9.00	42.7 (1084)	11.8 (300)	12.4 (315)	19.8 (504)	13.5 (343)	487 (302)	128 (58)	7830 (3550)	120 (830)	6940 (3150)	120 (830)

Note: Minimum Dual Spacing calculated without chains.
These specifications subject to change without notice.

*ECE Certified
**Tread pattern may vary.